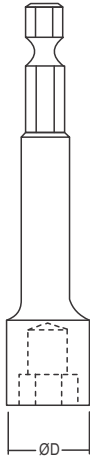


Chave canhão universal

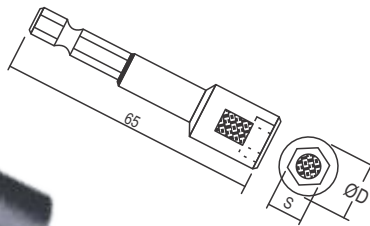


Sextavado	Comprimento					Ø D
	50	75	100	150	200	
4	CC450	CC475	CC4100	CC4150	CC4200	7,0
5	CC550	CC575	CC5100	CC5150	CC5200	8,5
5.5	CC5.550	CC5.575	CC5.5100	CC5.5150	CC5.5200	9,5
6	CC650	CC675	CC6100	CC6150	CC6200	10,0
7	CC750	CC775	CC7100	CC7150	CC7200	11,5
8	CC850	CC875	CC8100	CC8150	CC8200	12,5
9	CC950	CC975	CC9100	CC9150	CC9200	13,5
10	CC1050	CC1075	CC10100	CC10150	CC10200	15,5
11	CC1150	CC1175	CC11100	CC11150	CC11200	17,0
12	CC1250	CC1275	CC12100	CC12150	CC12200	18,5
13	CC1350	CC1375	CC13100	CC13150	CC13200	19,0
14	CC1450	CC1475	CC14100	CC14150	CC14200	20,5
15	CC1550	CC1575	CC15100			20,5
17	CC1750	CC1775	CC17100			23,5
19	CC1950	CC1975	CC19100			27,0
3/16	CC3/1650	CC3/1675	CC3/16100	CC3/16150	CC3/16200	8,0
1/4	CC1/450	CC1/475	CC1/4100	CC1/4150	CC1/4200	11,0
5/16	CC5/1650	CC5/1675	CC5/16100	CC5/16150	CC5/16200	12,5
3/8	CC3/850	CC3/875	CC3/8100	CC3/8150	CC3/8200	15,5
7/16	CC7/1650	CC7/1675	CC7/16100	CC7/16150	CC7/16200	17,0
9/16	CC9/1650	CC9/1675	CC9/16100	CC9/16150	CC9/16200	21,0
1/2	CC1/250	CC1/275	CC1/2100	CC1/2150	CC1/2200	19,0

Fabricamos peças especiais.

Com imã - adicionar o sufixo "M"

Chave Canhão tipo Bosch e Makita

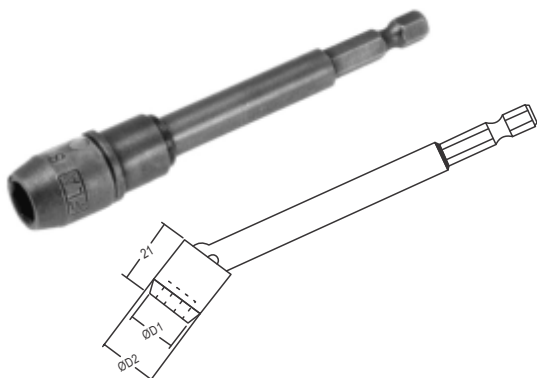


Com imã.

Sextavado	Ref.	Ø D
6	CM 6	10,0
8	CM 8	13,0
10	CM 10	14,3
12	CM 12	18,5
1/4	CM 1/4	11,0
5/16	CM 5/16	13,0
3/8	CM 3/8	14,3
7/16	CM 7/16	16,0
1/2	CM 1/2	19,0

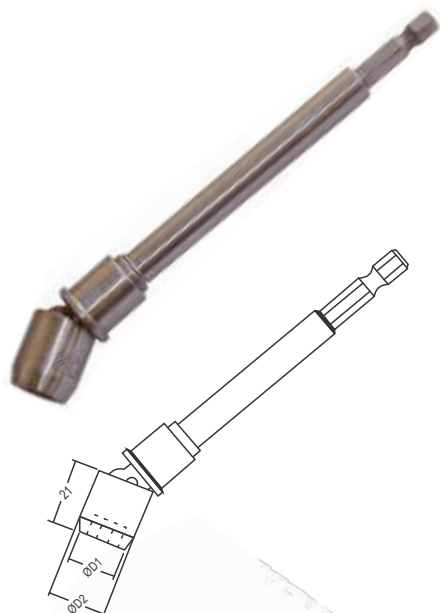
** Para Makita até 3/8" ou 10 mm.

Chave Canhão Articulado



Sextavado	Comprimento					D1	D2
	75	100	150	200			
6	CA675	CA6100	CA6150	CA6200	10,0	16,0	
7	CA775	CA7100	CA7150	CA7200	11,5	16,0	
8	CA875	CA8100	CA8150	CA8200	12,5	16,0	
9	CA975	CA9100	CA9150	CA9200	13,5	19,0	
10	CA1075	CA10100	CA10150	CA10200	16,0	19,0	
11	CA1175	CA11100	CA11150	CA11200	17,0	19,0	
12	CA1275	CA12100	CA12150	CA12200	18,5	19,0	
13	CA1375	CA13100	CA13150	CA13200	19,0	19,0	
1/4"	CA1/475	CA1/4100	CA1/4150	CA1/4200	11,0	16,0	
5/16"	CA5/1675	CA5/16100	CA5/16150	CA5/16200	12,5	16,0	
3/8"	CA3/875	CA3/8100	CA3/8150	CA3/8200	15,5	19,0	
7/16"	CA7/1675	CA7/16100	CA7/16150	CA7/16200	17,0	19,0	
1/2"	CA1/275	CA1/2100	CA1/2150	CA1/2200	19,0	19,0	

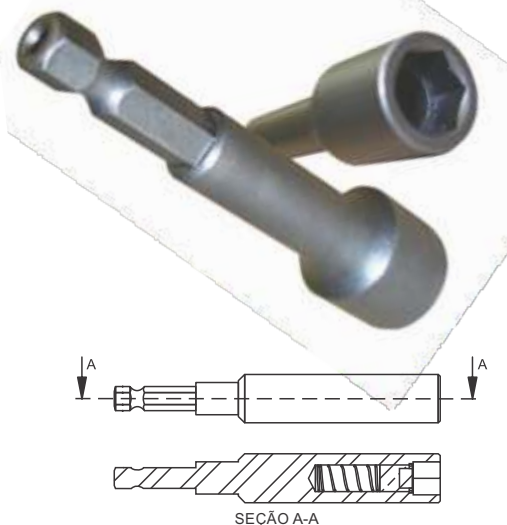
Chave Canhão Articulado com Mola



Sextavado	Comprimento				D1	D2
	75	100	150	200		
6	CAM675	CAM6100	CAM6150	CAM6200	10,0	16,0
7	CAM775	CAM7100	CAM7150	CAM7200	11,5	16,0
8	CAM875	CAM8100	CAM8150	CAM8200	12,5	16,0
9	CAM975	CAM9100	CAM9150	CAM9200	13,5	19,0
10	CAM1075	CAM10100	CAM10150	CAM10200	16,0	19,0
11	CAM1175	CAM11100	CAM11150	CAM11200	17,0	19,0
12	CAM1275	CAM12100	CAM12150	CAM12200	18,5	19,0
13	CAM1375	CAM13100	CAM13150	CAM13200	19,0	19,0
1/4"	CAM1/475	CAM1/4100	CAM1/4150	CAM1/4200	11,0	16,0
5/16"	CAM5/1675	CAM5/16100	CAM5/16150	CAM5/16200	12,5	16,0
3/8"	CAM3/875	CAM3/8100	CAM3/8150	CAM3/8200	15,5	19,0
7/16"	CAM7/1675	CAM7/16100	CAM7/16150	CAM7/16200	17,0	19,0
1/2"	CAM1/275	CAM1/2100	CAM1/2150	CAM1/2200	19,0	19,0

Fabricamos peças especiais.

Chave canhão com imã Retrátil



Sext. mm	Comprimento				Ø D
	75	100	150	200	
7	CC775MR	CC7100MR	CC7150MR	CC7200MR	11,5
8	CC875MR	CC8100MR	CC8150MR	CC8200MR	12,5
10	CC1075MR	CC10100MR	CC10150MR	CC10200MR	15,5
12	CC1275MR	CC12100MR	CC12150MR	CC12200MR	18,5
13	CC1375MR	CC13100MR	CC13150MR	CC13200MR	19,0
14	CC1475MR	CC14100MR	CC14150MR	CC14200MR	20,5
1/4	CC1/475MR	CC1/4100MR	CC1/4150MR	CC1/4200MR	11,0
5/16	CC5/1675MR	CC5/16100MR	CC5/16150MR	CC5/16200MR	12,5
3/8	CC3/875MR	CC3/8100MR	CC3/8150MR	CC3/8200MR	15,5

*Fabricamos em outras medidas sob consulta.